

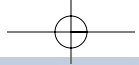


Doosan Infracore  
Construction Equipment

# DX225LL

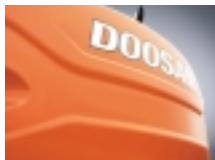
Engine Power : SAE J1995, Gross 115kW (155HP) / 1,900rpm  
SAE J1349, net 110kW (148HP) / 1,900rpm  
Operational Weight : 29,500kg (65,035 lb) - STD.



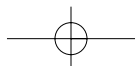


# DX225LL

The new DX225 log loader has all the advantages of the previous model, and now offers additional added value to the operator.



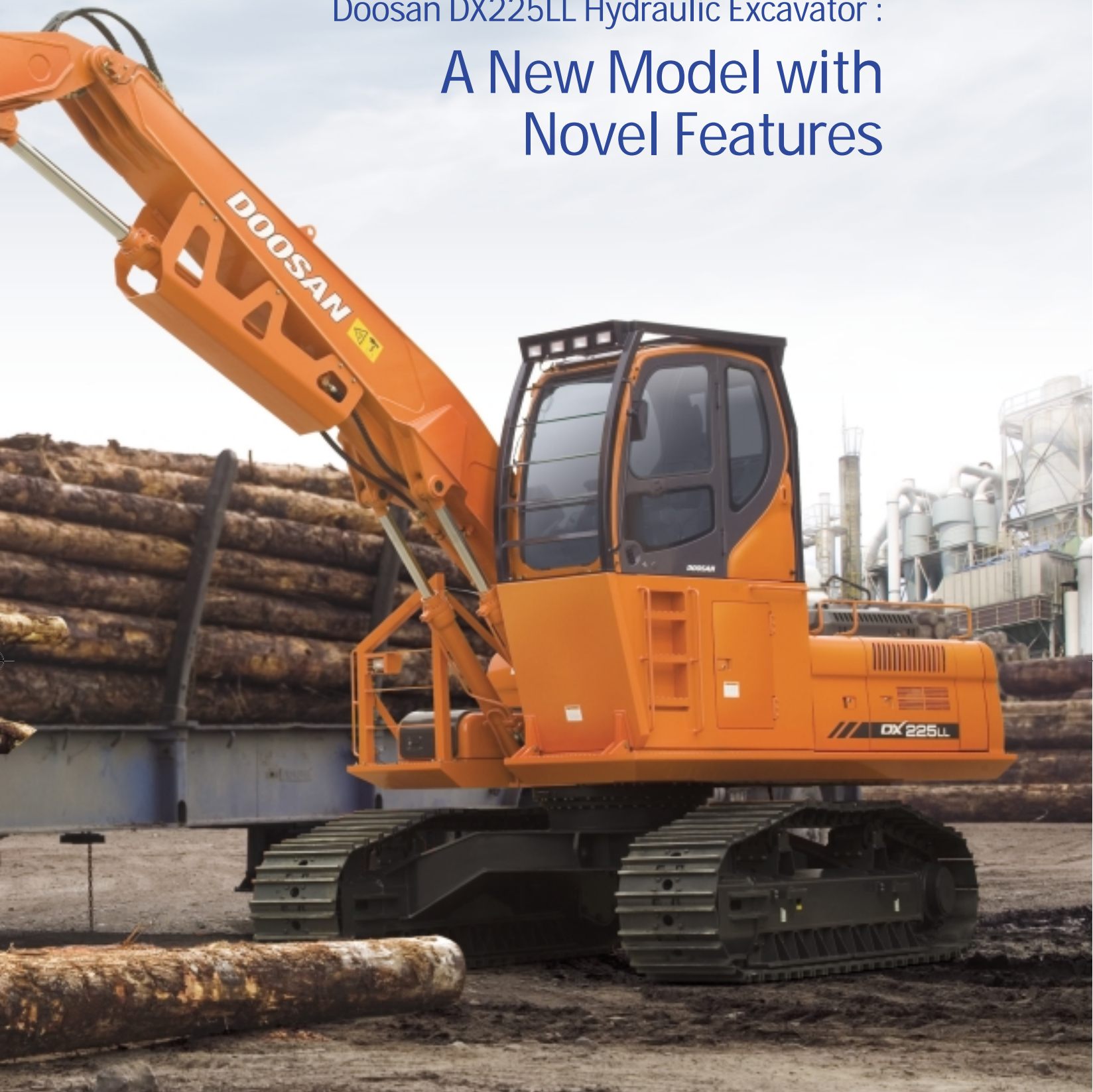
The new DX225LL was developed with the concept of "providing optimum value to the end user." In concrete terms, this translates, into :







## Doosan DX225LL Hydraulic Excavator : A New Model with Novel Features

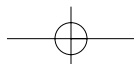


Increased production and improved fuel economy is attributed to the electronic optimization of the hydraulic system and the new generation DOOSAN engine (Tier III / Stage III).

Improved ergonomics, increases comfort and excellent all round visibility ensuring a safe and pleasant working environment.

Improved reliability is achieved through the use of high performance materials combined with new methods of structural stress analysis, and leads to increased component life expectancy, thus reducing running costs.

Reduced maintenance increases the availability and reduces operating costs of the excavator.



# HANDLING

The log loader's power, durability, ease of servicing and its precise control increase its effectiveness and life expectancy. With the DX225LL, DOOSAN offers an excellent return on investment.



Multi-function Color LCD Monitor Panel

Warning lights

Operation modes

- Mode selection
- Flow rate control
- Auto deceleration
- Display selection

Control panel

With color LCD display

## Choice of operating modes

### Working mode

- Digging mode : for general excavation, loading, lifting...
- Trenching mode : swing priority for trench work, canal digging, embankments...

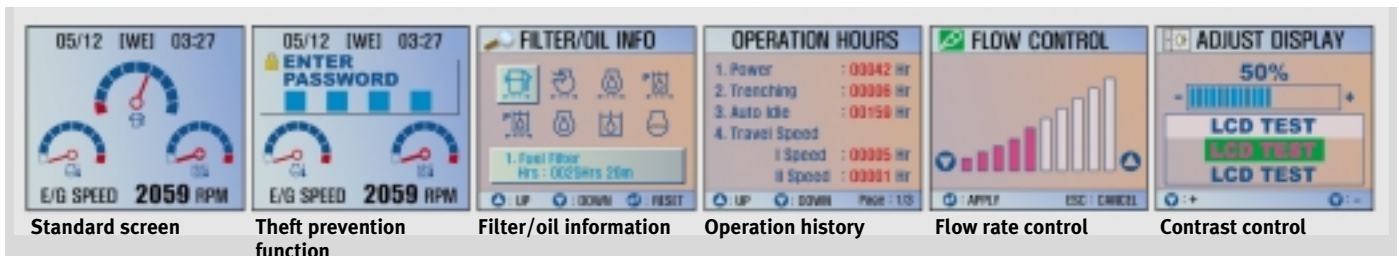
### Power mode

- Standard : uses 85% engine power for all work
- Power : uses 100% engine power for heavy work



## Control lever

Very precise control of the equipment increases versatility, safety and facilitates tricky operations requiring great precision. Leveling operations and particularly the movement of suspended loads are made easier and safer. The control levers have additional electrical buttons for controlling other additional equipment (for example, grabs, crushers, grippers, etc.)



Standard screen

Theft prevention function

Filter/oil information

Operation history

Flow rate control

Contrast control



Cellular phone box



12 V Power socket



Cigarette lighter



Glass antenna



# COMFORT

## DX225LL

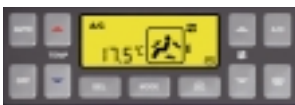
The work rate of the log loader is directly linked to the performance of its operator. DOOSAN designed the DX225LL by putting the operator at the center of the development goals. The result is significant ergonomic value that improves the efficiency and safety of the operator.

More space, better visibility, air conditioning, a very comfortable seat... These are all elements that ensure that the operator can work for hours and hours in excellent conditions.



### Control panel

Correct positioning with clear controls makes the operator's task easier.



The high performance air conditioning provides an air flow which is adjusted and electronically controlled for the conditions. Five operating modes enable even the most demanding operator to be satisfied.



### Air suspension seat (opt)

Equipped with various functions of adjustment back and forth and, and lumbar support, it reduces the vibration of equipment transmitted during work in an effective way. Also for considering winter working environment, lower case warmer functions equipped.



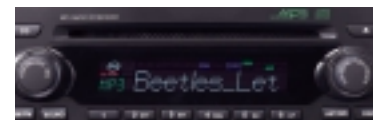
Appropriate storage spaces show the attention given to the operator.



Comfortable 2-stage sliding seat



Control stand (Telescopic Function)

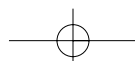


MP 3 / CD Player (Opt.)



### Audio Button

Audio Button has been positioned in a way that the driver can turn on/off the radio, control the volume, and select a channel conveniently.



# PERFORMANCE

The performance of the DX225LL has a direct effect on its productivity. Its new "Common Rail" engine and new e-EPOS controlled hydraulic system have combined to create an unbeatable log loader, with a cost/performance ratio that makes the DX225LL even more appealing.



"COMMON RAIL" DOOSAN DL06 ENGINE

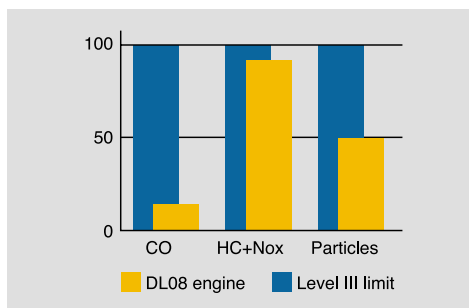
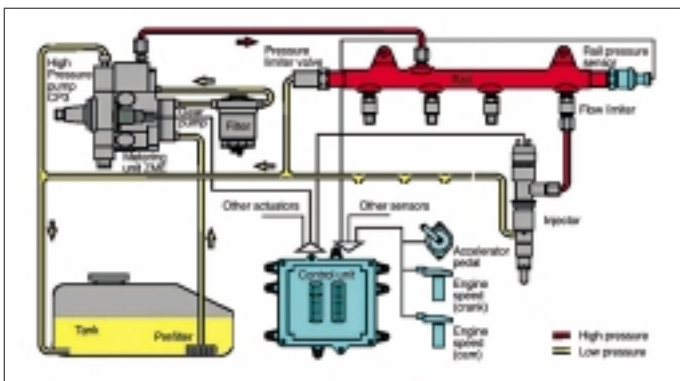
At the heart of the hydraulic excavator is the new "Common Rail" DOOSAN DL06 engine. It is combined with the new e-EPOS electronic control system, for optimum power and fuel saving.

The new engine produces 148 hp(110 kw/150 PS) at only 1,900 rpm, and more torque, due to its careful design combined with the use of common rail injection and 4 valves per cylinder. These features help optimize combustion and minimize pollution through reduced Nox & particulate emissions.

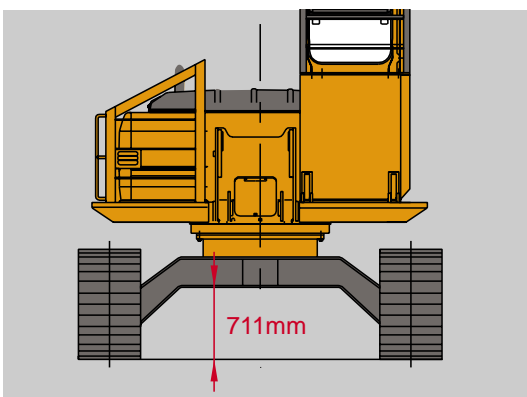
Increased torque allows efficient use of the power of the hydraulic system.

- Faster working cycles increase productivity.
- Increased torque means the excavator is able to move more easily.
- Energy efficiency reduces fuel consumption.

DOOSAN infracore is aware of the importance of protecting the environment. Ecology was uppermost in the minds of the research workers right from the start of the design of the new machines. The new challenge for the engineers is to combine the protection of nature with equipment performance and to this end DOOSAN has been investing heavily.

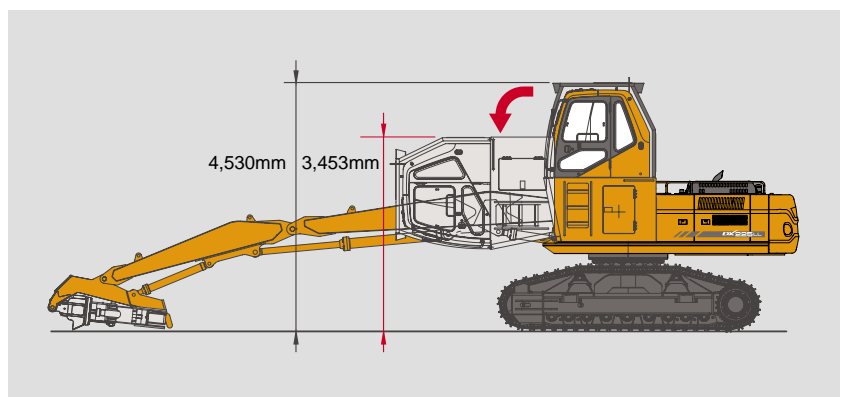


The new DOOSAN engine respects and protects the environment, limiting all types of toxic emissions.



## Stable lower running part

Heightening the lowest ground level to 711mm (2'4"), it prevents the damage of the lower part in running at a rough area and swampy land.

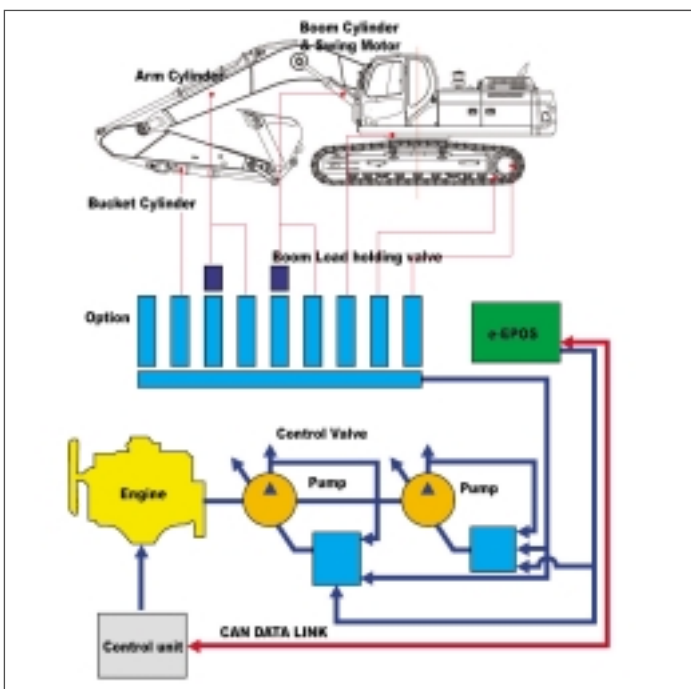


## Folding type cabin

Lowering the ground level with the cabin folded forth at transport, it is easy to move. 4,530mm (14'10") reduced to 3,453mm (11'4")



DX225LL



## EXCAVATOR CONTROL

### New e-EPOS system (Electronic Power Optimizing System)

The brains of the hydraulic excavator, the e-EPOS, have been improved and now can electronically link to the engines ECU (Electronic Control Unit), through a CAN (Controller Area Network) communication link, enabling a continuous exchange of information between the engine and the hydraulic system. These units are now perfectly synchronised.

The advantages of the new e-EPOS impacts at several levels, Ease of operation and user-friendliness:

- The availability of a power mode and a normal operating mode guarantee maximum efficiency under all conditions.
- Electronic control of fuel consumption optimizes efficiency.
- The automatic deceleration mode enables fuel saving.
- Regulation and precise control of the flow rate required by the equipment are available as standard.
- A self-diagnosis function enables technical problems to be resolved quickly and efficiently.
- An operational memory provides a graphic display of the status of the machine.
- Maintenance and oil change intervals can be displayed.

# RELIABILITY

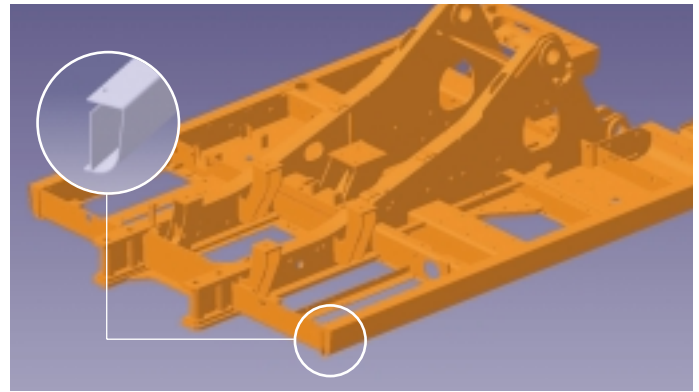
The reliability of an item of plant contributes to its overall lifetime operating costs. DOOSAN uses computer-assisted design techniques, highly durable materials and structures then test these under extreme conditions. Durability of materials and longevity of structures are our first priorities.



#### Cabin protector

To perfectly protect a driver from a dangerous object such as wood or stone, a guard is equipped at the upper and front part of the cabin.

Equipped with 4 lamps at the upper part of the guard, it is convenient to work at night.



#### D-type frame

The D-type frame design adds strength and minimizes distortion due to shocks.



#### Pump coupling

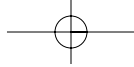
A polymer material is used to produce the coupling between the pump and engine. This material has a long life and reduces noise and vibration levels.



#### Low roller

With improvement of lower roller body internal structure, and strict test verification of reliability, it has secured a higher level endurable quality, and a full guard was applied to protect the lower roller and prevent the derailment from a track at a rugged area work.





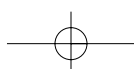
# DX225LL

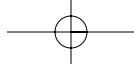


**Travel motor**  
Running drive force improved with the efficiency improvement of the running device, its performance is excellent at a slope or swampy area.



**Integrated track spring and idler**  
The track spring and the idler have been joined directly to achieve high durability and improved maintenance convenience.





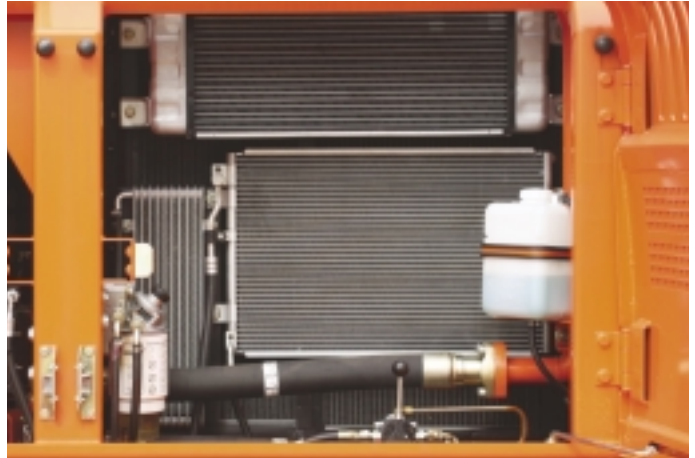
# MAINTENANCE

Short maintenance operations at long intervals increase the availability of the equipment on site. DOOSAN has developed the DX225LL with a view to high profitability for the user.



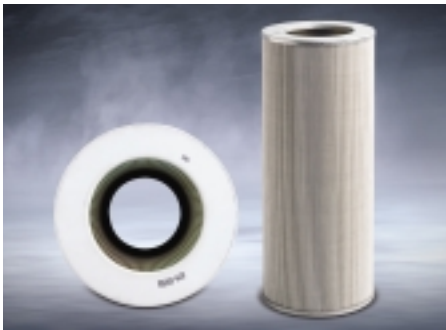
#### Engine oil filter

The engine oil filter offers a high level of filtration allowing the oil change interval to be increased to 500 hours. It is easy to access and is positioned to avoid contaminating the surrounding environment.



#### Easy maintenance

Access to the various radiators and coolers is very easy, making cleaning easier. Access to the various parts of the engine is from the top and via side panels.



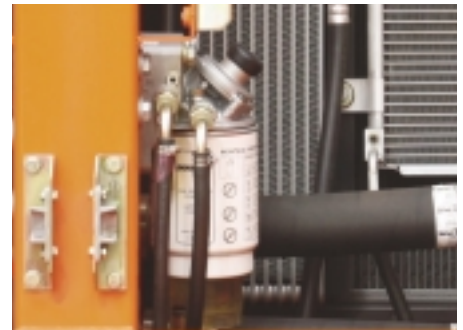
#### Hydraulic oil return filter

The protection of the hydraulic system is more effective, using glass fiber filter technology in the main oil return filter. This means that with more than 99.5% of foreign particles filtered out, the oil change interval is increased.



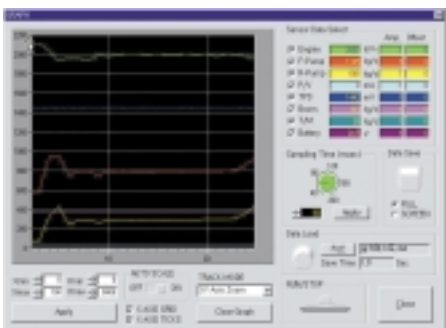
#### Air cleaner

The large capacity forced air cleaner removes over 99% of airborne particles, reducing the risk of engine contamination and making the cleaning and cartridge change intervals greater.



#### Fuel filter

High efficiency fuel filtration is attained by the use of multiple filters, including a fuel pre-filter fitted with a water separator that removes most moisture from the fuel.



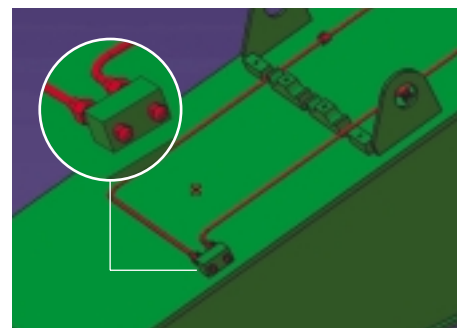
#### PC Monitoring (DMS)

A PC monitoring function enables connection to the e-EPOS system, allowing various parameters to be checked during maintenance, such as pump pressures, engine rotation speed, etc. and these can be stored and printed for subsequent analysis.



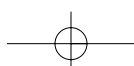
#### Convenient Fuse Box

The fuse box is conveniently located in a section of the storage compartment behind the operator's seat providing a clean environment and easy access.

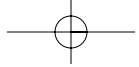


#### Centralized grease inlets for easy maintenance

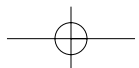
The grease inlets of boom are grouped for easy access.







# DX225LL



# TECHNICAL SPECIFICATIONS

## \* ENGINE

### • Model

Doosan DLo6  
"Common Rail" engine with direct fuel injection and electronic control, 4 valves per cylinder, vertical injectors, water cooled, turbo charged with air to air intercooler. The emission levels are well below the values required for phase III

### • Number of cylinders

6

### • Nominal flywheel power

115 kW(155HP) at 1,900 rpm (SAE J1995, gross)  
110 kW(148HP) at 1,900 rpm (SAE J1349, net)

### • Max torque

68 kgf.m(667 Nm) at 1,300 rpm

### • Piston displacement

5,890 cc (359cu.in)

### • Bore & stroke

100 mm x 125 mm (3.9" X 4.9")

### • Starter

24 V / 6 kW

### • Batteries

2 x 12 V / 100 Ah

### • Air cleaner

Double element and pre-filtered Turbo with auto dust evacuation.

## \* HYDRAULIC SYSTEM

The heart of the system is the e-EPOS (Electronic Power Optimizing System). It allows the efficiency of the system to be optimized for all working conditions and minimizes fuel consumption.

The new e-EPOS is connected to the engine electronic control via a data transfer link to harmonize the operation of the engine and hydraulics.

- The hydraulic system enables independent or combined operations.
- Two travel speeds offer either increased torque or high speed tracking.
- Cross-sensing pump system for fuel savings.
- Auto deceleration system.
- Two operating modes, two power modes.
- Button control of flow in auxiliary equipment circuits.
- Computer-aided pump power control.

### • Main pumps

2 variable displacement axial piston pumps  
Max flow: 2 x 220 ℓ/min (2 X 58US gpm, 2 X 48 lmp gpm)

### • Pilot pump

Gear pump - max flow: 26 ℓ/min (6.9US gpm, 5.7 lmp gpm)

### • Maximum system pressure

Boom/arm/heel:  
Normal mode : 330 kgf/cm<sup>2</sup> (324 bar)  
Power mode : 350 kgf/cm<sup>2</sup> (343 bar)  
Travel : 335 kgf/cm<sup>2</sup> (328 bar)  
Swing : 275 kgf/cm<sup>2</sup> (270 bar)

## \* WEIGHT

Boom 6,150 mm (20'2") • Arm 3,660 mm (12'0") • Grapple None

	Shoe width	Operating weight	Ground pressure (kgf/cm <sup>2</sup> )
Double grouser	(Std) 700 mm (2'4")	29,500 kg (65,035 lb)	0.59 kgf/cm <sup>2</sup> (58 kpa, 8.3 psi)



## \* HYDRAULIC CYLINDERS

The piston rods and cylinder bodies are made of high-strength steel. A shock absorbing mechanism is fitted in all cylinders to ensure shock-free operation and extend piston life.

Cylinders	Quantity	Bore x Rod diameter x stroke
Boom	2	140 X 95 X 1,143mm(5.5" X 3.7" X 3'9")
Arm	1	165 X 115 X 1,454mm(6.5" X 4.5" X 4'9")
Heel	1	115 X 75 X 915mm(4.5" X 3.0" X 3'0")

## \* UNDERCARRIAGE

Chassis are of very robust construction, all welded structures are designed to limit stresses.

High-quality material used for durability.

Lateral chassis welded and rigidly attached to the undercarriage.

Track rollers lubricated for life, idlers and sprockets fitted with floating seals.

Tracks shoes made of induction-hardened alloy with double grouser.

Heat-treated connecting pins.

Hydraulic track adjuster with shock-absorbing tension mechanism.

### • Number of rollers and track shoes per side

Upper rollers: 2 (standard shoes)

Lower rollers: 9

Shoes: 48

Total length of track: 4,613mm (15'2")

## \* ENVIRONMENT

Noise levels comply with environmental regulations (dynamic values).

### • Sound level guarantee

104 dB(A) (2000/14/EC)

### • Cab sound level

73 dB(A) (ISO 6396)

## \* SWING MECHANISM

- An axial piston motor with two-stage planetary reduction gear is used for the swing.
- Increased swing torque reduces swing time.
- Internal induction-hardened gear.
- Internal gear and pinion immersed in lubricant bath.
- The swing brake for parking is activated by spring and released hydraulically.

**Swing speed: 0 to 11.7 rpm**

## \* DRIVE

Each track is driven by an independent axial piston motor through a planetary reduction gearbox.

Two levers with control pedals guarantee smooth travel with counter-rotation on demand.

### • Travel speed (fast/slow)

4.6/2.8km/h (2.9/1.7mph)

### • Maximum traction force

12.4 / 24.5 metric ton (13.7 / 27.0 US ton)

### • Maximum grade

35° / 70%

## \* REFILL CAPACITIES

### • Fuel tank

Total capacity are 1,030 ℓ (272 US gal / 226.6 Imp gal).

Fuel tank (1) : 416 ℓ (110 US gal / 91.5 Imp gal)

Fuel tank (2) : 614 ℓ (162 US gal / 135.1 Imp gal)

### • Cooling system (Radiator capacity)

24 ℓ (5.3 US gal, 6.3 Imp gal)

### • Engine oil

27 ℓ (5.9 US gal, 7.1 Imp gal)

### • Swing drive

6 ℓ (1.6 US gal, 1.3 Imp gal)

### • Final drive (each)

5.5 ℓ (1.5 US gal, 1.2 Imp gal)

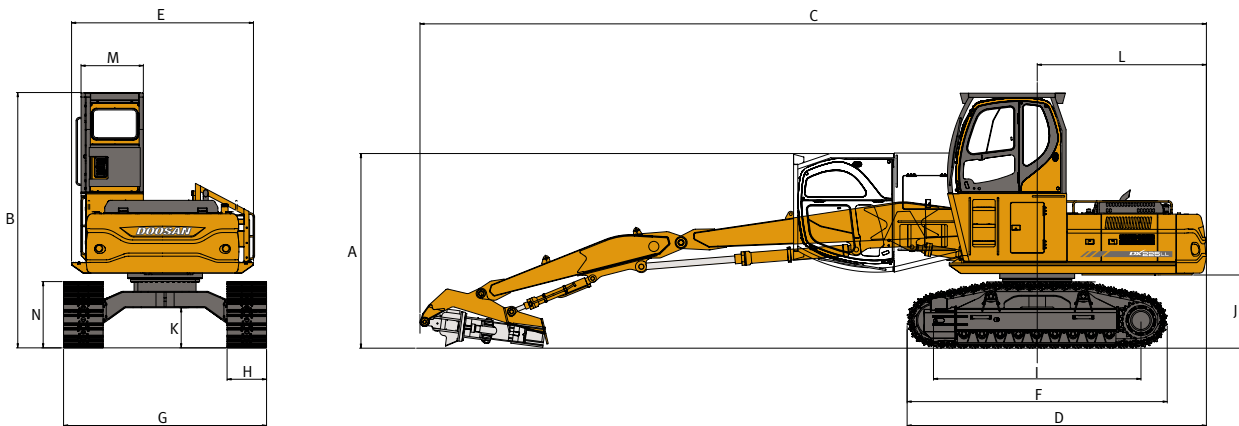
### • Hydraulic system

240 ℓ (52.8 US gal, 63.4 Imp gal)

### • Hydraulic tank

141 ℓ (37.2 US gal, 31 Imp gal)

# DIMENSIONS



## \* DIMENSIONS

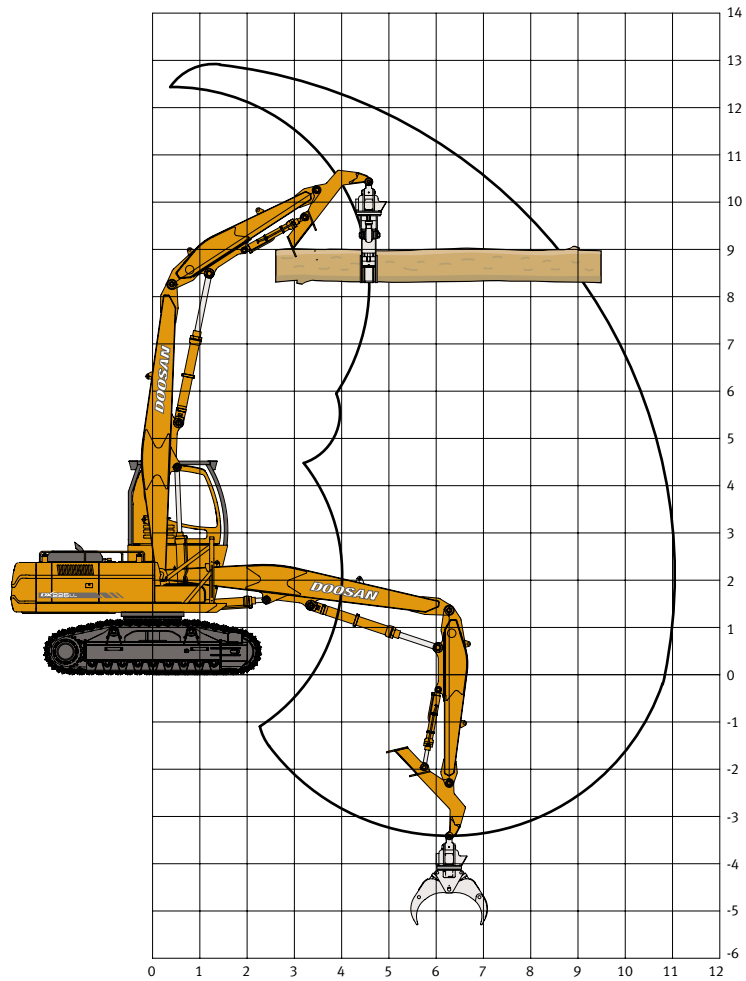
Boom 6,150 mm (20'2") - Arm 3,660 mm (12'0") - Grapple None - Shoes 700 mm (2'4") - Std

<b>A</b>	<b>Overall Transport Height W/Attachment</b>	3,453 mm (11'4")
<b>B</b>	<b>Overall Height</b>	4,530 mm (14'10")
<b>C</b>	<b>Overall Length</b>	13,947 mm (45'8")
<b>D</b>	<b>Overall Length (Without Attachment)</b>	5,308 mm (17'5")
<b>E</b>	<b>Width of Upper Structure</b>	3,226 mm (10'7")
<b>F</b>	<b>Track Overall Length</b>	4,613 mm (15'2")
<b>G</b>	<b>Track Overall Width</b>	3,600 mm (11'10")
<b>H</b>	<b>Track Shoe Width</b>	700 mm (2'4")
<b>I</b>	<b>Tumbler Distance</b>	3,680 mm (12'1")
<b>J</b>	<b>Countweight Clearance</b>	1,299 mm (4'3")
<b>K</b>	<b>Minimum Ground Clearance</b>	711 mm (2'4")
<b>L</b>	<b>Tail Swing Radius</b>	3,000 mm (9'10")
<b>M</b>	<b>Cabin Guard Width</b>	1,105 mm (3'8")
<b>N</b>	<b>Track Height</b>	1,176 mm (3'10")



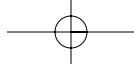
# WORKING RANGES

## DX225LL



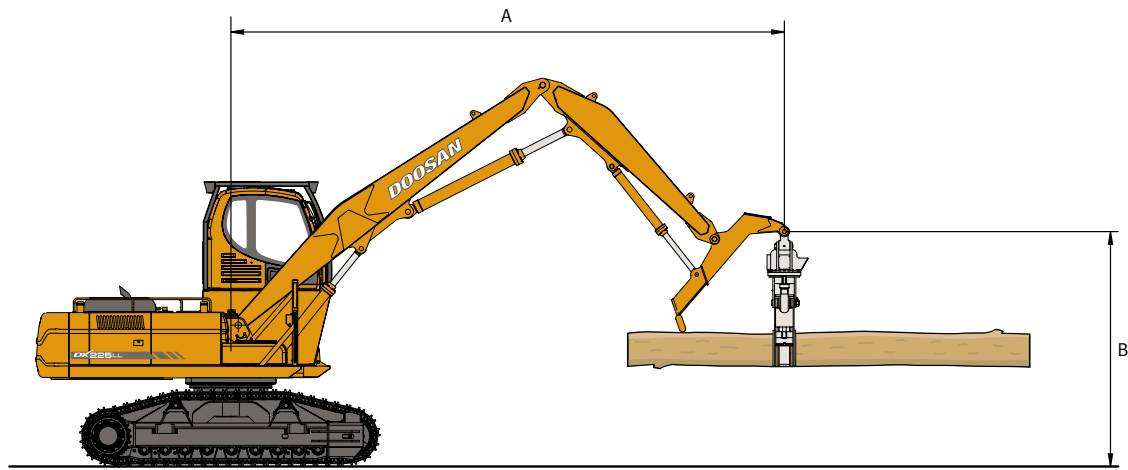
### \* WORKING RANGE

<b>Max. Loading reach</b>	11,035 mm (36'2")
<b>Max. Loading Depth</b>	3,410 mm (11'2")
<b>Max. Loading Height</b>	12,920 mm (42'5")
<b>Rear swing radius</b>	3,000mm (9'10")
<b>Min. swing radius</b>	4,155 mm (13'8")



# LIFTING CAPACITY

## DX225LL



### Metric

Boom : 6,150m(20'2") Arm : 3,660mm(12'0") Heel : 810mm(2'8") Shoe : 700mm(2'4")-Std

Unit : 1,000 kg

A(m) B(m)	1.52 m		3.05 m		4.57 m		6.10 m		7.62 m		9.14 m		10.67 m	
12.19 m			(13.75)	(13.75)										
10.67 m					8.75	8.75	8.19	8.19						
9.14 m							7.36	7.36	7.04	5.92				
7.62 m							7.29	7.29	6.81	6.02	5.92	4.48		
6.10 m					8.64	8.64	7.71	7.71	6.98	6.01	5.98	4.50		
4.57 m					9.05	9.05	8.51	8.31	7.37	5.92	5.95	4.47		
3.05 m	4.75	4.75					9.50	8.05	7.75	5.79	5.89	4.41	4.65	3.47
1.52 m							10.33	7.77	7.60	5.65	5.82	4.34	4.64	3.45
o(Ground)							10.39	7.56	7.48	5.53	5.76	4.29		
-1.52 m					8.59	8.59	10.21	7.44	7.41	5.47	5.73	4.26		
-3.05 m							8.89	7.43						

### Feet

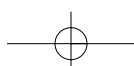
Unit : 1,000 lb

A(m) B(m)	5 ft		10 ft		15 ft		20 ft		25 ft		30 ft		35 ft	
40 ft			*30.31	*30.31										
35 ft					*19.30	*19.30	*18.05	*18.05						
30 ft							*16.23	*16.23	*15.52	13.06				
25 ft							*16.08	*16.08	*15.01	13.28	13.05	9.78		
20 ft					*19.05	*19.05	*17.00	*17.00	*15.38	13.24	13.18	9.91		
15 ft					*19.96	*19.96	*18.77	18.32	*16.25	13.05	13.12	9.85		
10 ft	*10.48	*10.48					*20.95	17.75	17.09	12.76	12.99	9.72	10.25	7.64
5 ft							*22.78	17.14	16.76	12.45	12.83	9.57	10.22	7.61
o ft							22.91	16.66	16.49	12.2	12.7	9.45		
-5 ft					*18.94	*18.94	*22.52	16.41	16.33	12.05	12.64	9.39		
-10 ft							*19.59	16.37						

1. Ratings are based on SAE J1097
2. The load point is a hook located on the back of the bucket.
3. \*Rated loads are based on hydraulic capacity.
4. Rated loads do not exceed 87% of hydraulic capacity or 75% of tipping capacity.

: Rating Over Front

: Rating Over Side or 360 degree





# STANDARD AND OPTIONAL EQUIPMENT

## \* STANDARD EQUIPMENT

### • Hydraulic system

- Boom and arm flow regeneration
- Boom and arm holding valves
- Swing anti-rebound valves
- Spare ports(valve)
- One-touch power boost

### • Cabin & Interior

- Viscous cab mounts
- All weather sound suppressed type cab
- Air conditioner
- Adjustable suspension seat with head rest and adjustable arm rest
- Pull-up type front window
- Room light
- Intermittent windshield wiper
- Cigarette lighter and ashtray
- Cup holder
- Hot & Cool box
- LCD color monitor panel
- Fuel control dial
- AM/FM radio and cassette player
- Remote radio ON/OFF switch
- 12V spare powers socket
- Serial communication port for laptop PC interface
- Joystick lever with 3 switches
- Sunvisor
- Sun roof

### • Safety

- Large handrails and step
- Punched metal anti-slip plates
- Seat belt
- Hydraulic safety lock lever
- Safety glass
- Hammer for emergency escape
- Right and left rearview mirrors
- Travel alarm

### • Others

- Double element air cleaner
- Pre-cleaner
- Water separator
- Dust screen for radiator/oil cooler
- Engine overheat prevention system
- Engine restart prevention system
- Self-diagnostic system
- Alternator(24V, 80 amps)
- Electric horn
- Halogen working lights(frame mounted 2, boom mounted 2)
- Hydraulic track adjuster
- Track guards
- Double fuel filter
- Greased and sealed track link

## \* OPTIONAL EQUIPMENT

Optional equipment listed may be standard in some markets, and some optional equipment listed may not be available in some markets.

### • Safety

- Boom and arm hose rupture protection valve
- Overload warning device
- Cabin Top/Front guard (ISO 10262, FOGS standard)

### • Cabin & Interior

- Air suspension seat
- MP3/CD player

### • Others

- Piping for crusher
- Piping for quick clamp
- Breaker filter
- 700mm/800mm/850mm shoe
- Full track guards
- Fuel heater
- Double grouser shoe
- Fuel filler pump

**Seoul Office :**

Doosan Tower 27<sup>th</sup> FL. 18-12, Euljiro-6 Ga,  
Jung-Gu, Seoul, Korea 100-730

Tel : +82-2-3398-8049

Fax : +82-2-3398-8117

[www.doosaninfracore.com](http://www.doosaninfracore.com)

**Doosan Infracore Europe S.A.**

1A, Rue Achille Degrace, 7080 Frameries, Belgium  
Tel : +32-65-61-3230 Fax : +32-65-67-7338

**Doosan Infracore U.K., Ltd.**

Doosan House, Unit 6, 3 Heol Y Gamlas, Parc Nantgarw, Nantgarw,  
Cardiff. CF15 7QU, U.K.  
Tel : +44-1443-84-2273 Fax : +44-1443-84-1933

**Doosan Infracore Europe S.A. Gernay**

Heinrich-von- Stephan str. 2 40764 Langenfeld, Germany  
Tel : +49-2173-2035-210 Fax : +49-2173-2035-219

**Doosan Infracore France**

ZAC de La Clef Saint Pierre - Buroplus 2 1A Avenue Jean d'Alembert  
78990 Elancourt, France  
Tel : +33-(0)1-30-16-21-41 Fax : +33-(0)1-30-16-21-44

**Doosan Infracore America Corporation**

2905 Shawnee Industrial Way, Suwanee, Georgia 30024, U. S. A  
Tel : +1-770-831-2200 Fax : +1-770-831-0480

**Doosan Infracore China Co., Ltd.**

#28, Wuzhishan Road, Eco. & Tech, Development Zone, Yantai, Shandong, China  
Tel : +86-535-638-2000 Fax : +86-535-638-2004

**Doosan Infracore Russia**

123242, Moscow, Kapranova Lane, bld.3, office 402, 4-th floor  
Business Centre "Premier Plaza"  
Tel : +7 (495)663 82 38/ (499) 923 12 55 Fax: +7 (495) 663 82 39

**Doosan Infracore Middle East Center (Dubai)**

P.O.Box 183127, Al-Serkal Building, Air Port Road, Dubai, U.A.E  
Tel : +971-4-295-2781~2 Fax : +971-4-295-2783

**Doosan Infracore do Brasil ServiÇos de Suporte Comercial Ltda.**

Alameda Santos 2222 Cj52 CEP 01418.200 São Paulo, SP, Brasil  
Tel : +55-11-3061-3227 Fax : +55-11-3061-2731

**Doosan Infracore India Pvt. Ltd**

Plot No. 34, Door No. 1/61-19, Palwels street, Ravi Colony,  
St. Thomas Mount, Chennai-600 016  
Tel : +91-44-4222-3900 Fax : +91-44-4222-3905



PBP D225COLL 0809

The illustrations do not necessary show the product in standard version.  
All products and equipments are not available in all markets.  
Materials and specifications are subjects to change without prior notice.